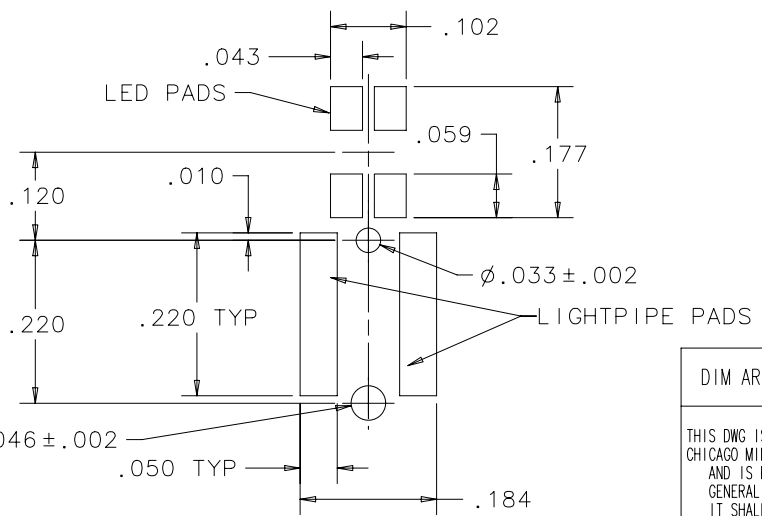
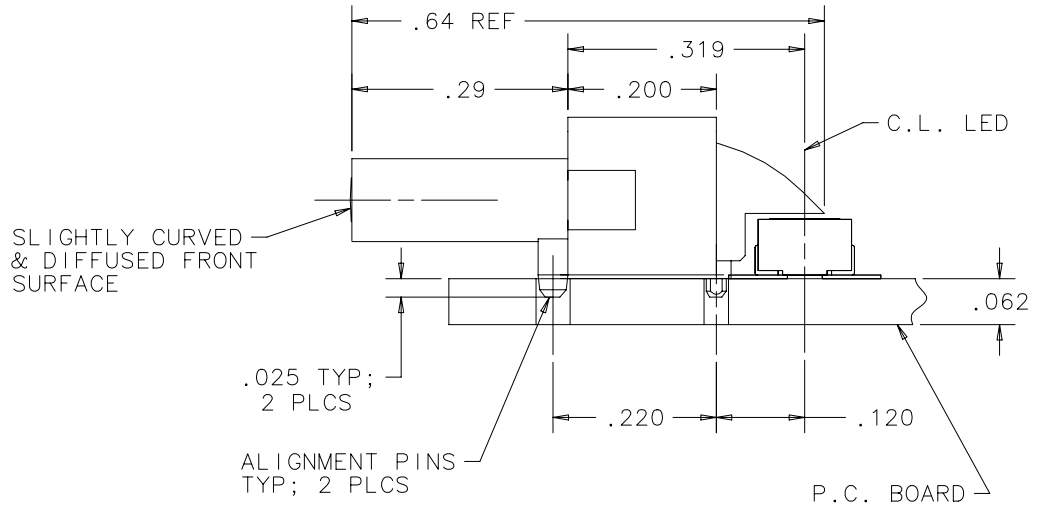
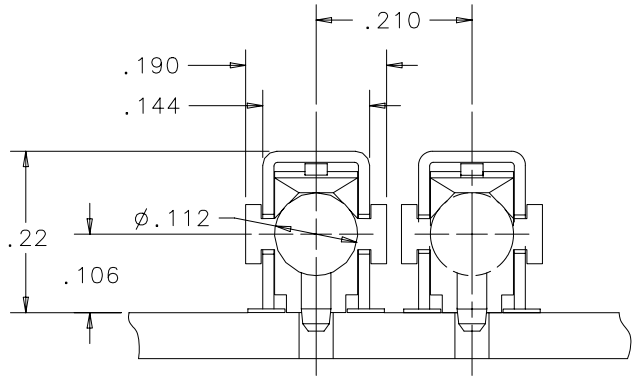


NOTES:

1. SMT LIGHTPIPE COMPONENT DESIGNED TO WITHSTAND STANDARD IR REFLOW SOLDERING PROFILE. **SEE SHEET THREE**
2. LED LIGHTSOURCE TO BE A SEPERATE COMPONENT.
3. LIGHTSOURCE: SMT LED (CML #CMD67-21/22 SERIES).
4. SMT LIGHTPIPE IS UL94 HB COMPLIANT WITH A POLYMER MASS OF 0.112 GRAMS.

REVISIONS			
REV	ECR NO	DESCRIPTION	DATE



PRELIMINARY SOLDER PAD LAYOUT (BICOLOR LED PADS SHOWN)

SDRC FILE NAME: 7520A10.mf1

CML MODEL NO.	PACKAGING OPTION
7520A10	100-PCS PER BAG
7520A10-TR	SUPPLIED ON TAPE & REEL 700-PCS PER REEL (SEE SHEET 2 OF 2)

**Patent Pending**

DIM ARE IN INCHES		<input type="checkbox"/> FOR INSPECTION USE ONLY <input checked="" type="checkbox"/> SPC DOCUMENTATION REQ. (X R CHARTS)	
DRAWN BY	DATE	PART NO	SEE CHART
M.C.	6-4-03	MODEL NO	
CHECKED BY	DATE	MOLD NO	TITLE
ENG. APPRV.	DATE	MATERIAL	
UNLESS OTHERWISE SPECIFIED		FINISH	TITLE
TOLERANCES ON:			
.XX +/- .02 .XXX +/- .010 ANGLE +/- 1 DEG.			

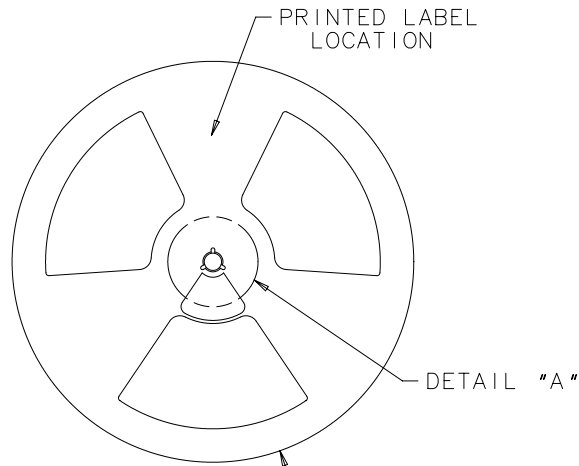
THIS DWG IS THE PROPERTY OF CHICAGO MINIATURE LAMP, INC AND IS PROPRIETARY IN GENERAL AND IN DETAIL. IT SHALL NOT BE COPIED OR ITS CONTENTS REVEALED TO OUTSIDE PARTIES WITHOUT THE WRITTEN CONSENT OF CHICAGO MINIATURE LAMP, INC.



**CHICAGO MINIATURE LAMP, INC.**  
147 CENTRAL AVE. HACKENSACK, NJ 07601

TITLE			
SMT LIGHTPIPE			
DIST.	S	DWG NO	B17792
SCALE	6:1	SHEET	1 OF 2

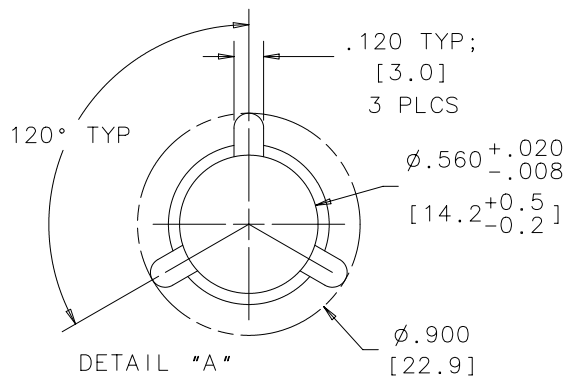
REVISIONS	
SEE SHEET 1	



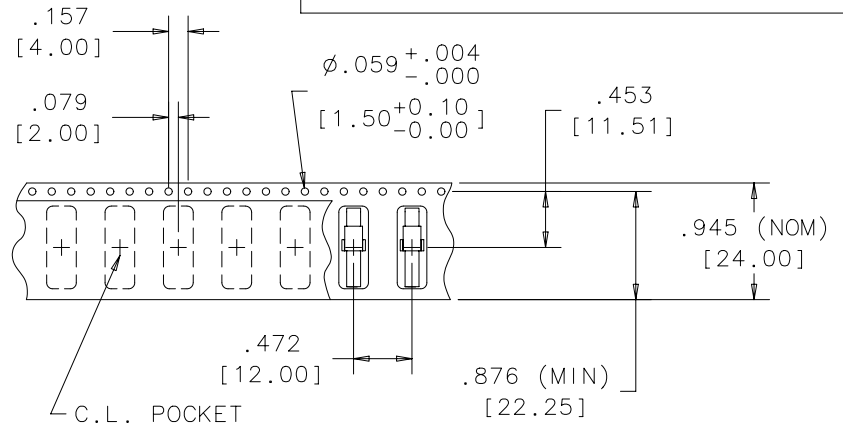
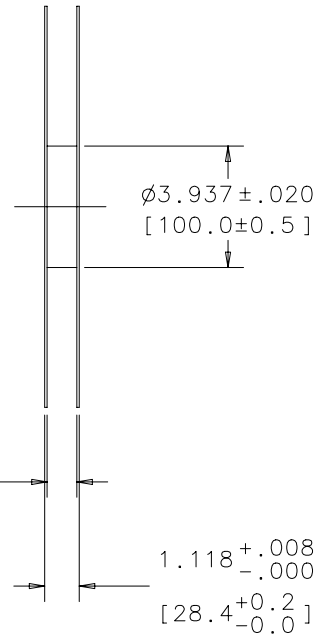
$\phi 12.992^{+.010}_{-.030}$   
[330.00<sup>+0.25</sup><sub>-0.76</sub>]

$.961^{+.125}_{-.000}$   
[24.4<sup>+3.2</sup><sub>-0.0</sub>]  
(MEASURED AT INSIDE EDGE)

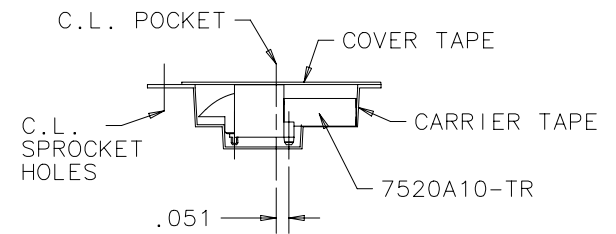
REEL DETAILS



SDRC FILE NAME: 7520A10.mf1



CARRIER TAPE DETAILS



7520A10-TR  
CONFIGURATION  
IN CARRIER TAPE

DIM ARE IN INCHES	<input type="checkbox"/> FOR INSPECTION USE ONLY <input checked="" type="checkbox"/> SPC DOCUMENTATION REQ. (X R CHARTS)			
THIS DWG IS THE PROPERTY OF CHICAGO MINIATURE LAMP, INC AND IS PROPRIETARY IN GENERAL AND IN DETAIL. IT SHALL NOT BE COPIED OR ITS CONTENTS REVEALED TO OUTSIDE PARTIES WITHOUT THE WRITTEN CONSENT OF CHICAGO MINIATURE LAMP, INC.	DRAWN BY	DATE	PART NO	<b>CHICAGO MINIATURE LAMP, INC.</b> 147 CENTRAL AVE. HACKENSACK, NJ 07601
	M.C.	8-25-03		
	CHECKED BY	DATE	MODEL NO	SEE CHART (SHEET 1)
	ENG. APPRV.	DATE	MOLD NO	
	UNLESS OTHERWISE SPECIFIED TOLERANCES ON:		MATERIAL	TITLE
.XX	+/- .02			SMT LIGHTPIPE
.XXX	+/- .010			DIST. S
ANGLE	+/- 1 DEG.		FINISH	DWG NO B17792
				REV
				SCALE 1:4
				SHEET 2 OF 2

**Chicago Miniature Lamp  
P/N 7520A10 series**

**SMD Light Pipe solder profile**

Melting point for 63/37 Tin-Lead solder paste: 183 Degrees C.

Maximum Reflow Temperature for 7520A10 is 221 Degrees C.

